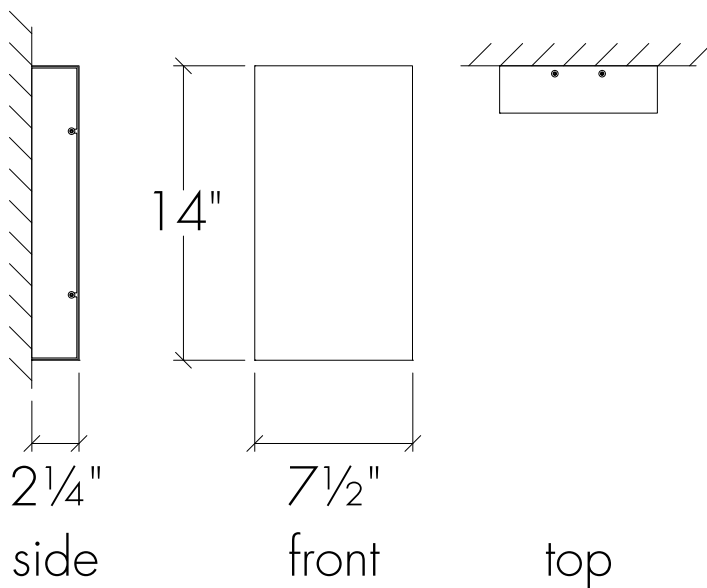


# ULTRALIGHTS



## STRATA 18393-14

Wet Location Complies with Americans with Disabilities Act

### Base Specifications:

14"h x 7.5"w x 2.25"d

04: LED - 28.6W (Dim w/ 0-10V dim system)

Opal Acrylic Diffuser

ADA

### Notes:

02 / 04 Lamping: Wattage and Lumens - Initial at the source

18393-14	-		-		-	
MODEL		FINISH		DIFFUSER		LAMPING

**Modifications:**

- BA - Bronze Age
- BK - Black
- BP - Black Pearl
- CB - Cast Bronze
- CH - Chestnut
- CR - Chrome
- DI - Dark Iron
- EB - Empire Bronze
- MB - Medieval Bronze
- NB - New Brass
- SB - Smokey Brass
- SP - Satin Pewter
- SS - Smoked Silver

OA - Opal

- 02: Wet Loc - LED - 16.8W - 2362 Lumens
  - (Dim w/ Std Phase Dim) - 120V
  - (Non-Dim or Dim w/ 0-10V Dim system) Universal
- 04: Dry / Damp LED - 28.6W - 4490 Lumens (Non-Dim or Dim w/ 0-10V Dim system) - Universal

### COLOR TEMPERATURE / CRI

- 3000K (Standard) - CRI available upon request
- 2700K - CRI available upon request
- 3500K - CRI available upon request
- 4000K - CRI available upon request

Project Name:  
Project Location:

Specifier Name:  
Specifier Location:

Quantity:  
Fixture Type:

WWW.ULTRALIGHTSLIGHTING.COM