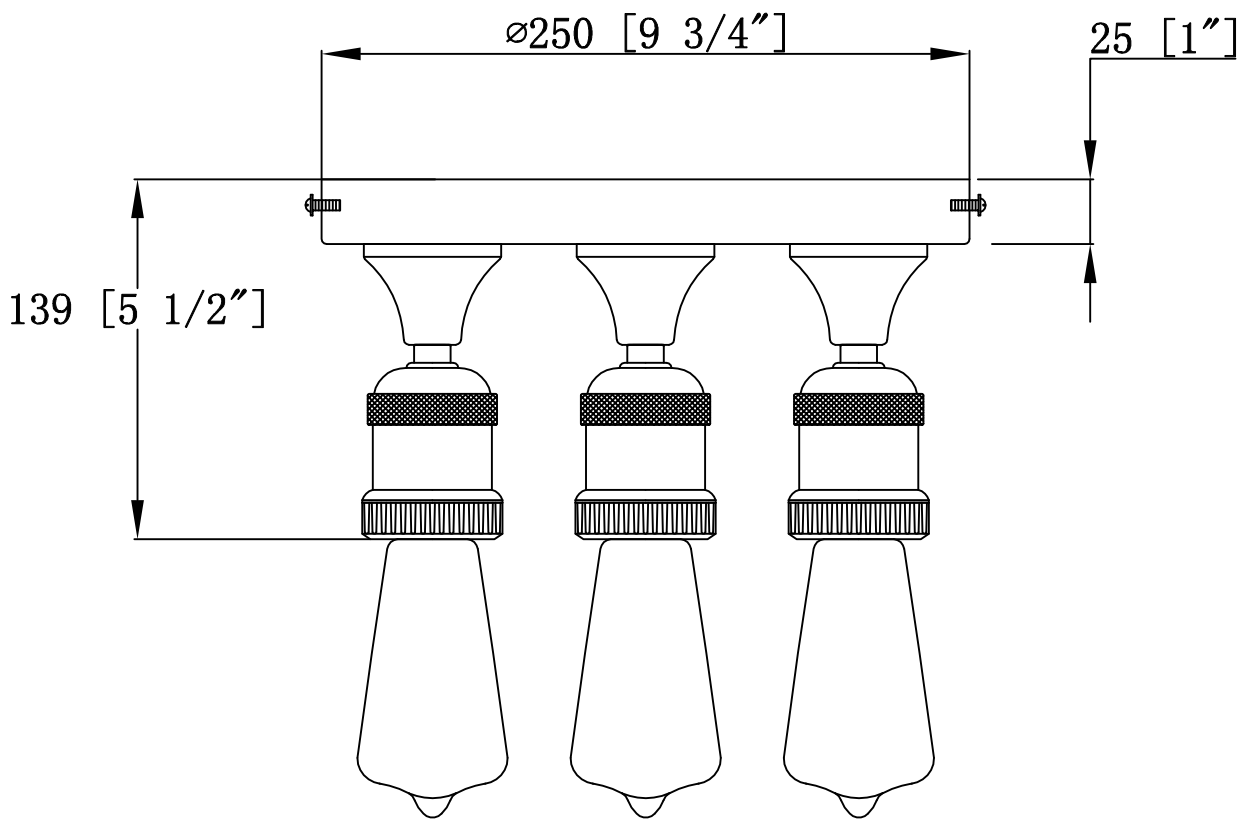


ITEM#: 80562-3C

INNOVATIONS  
LIGHTING



PROJECT:

TYPE: